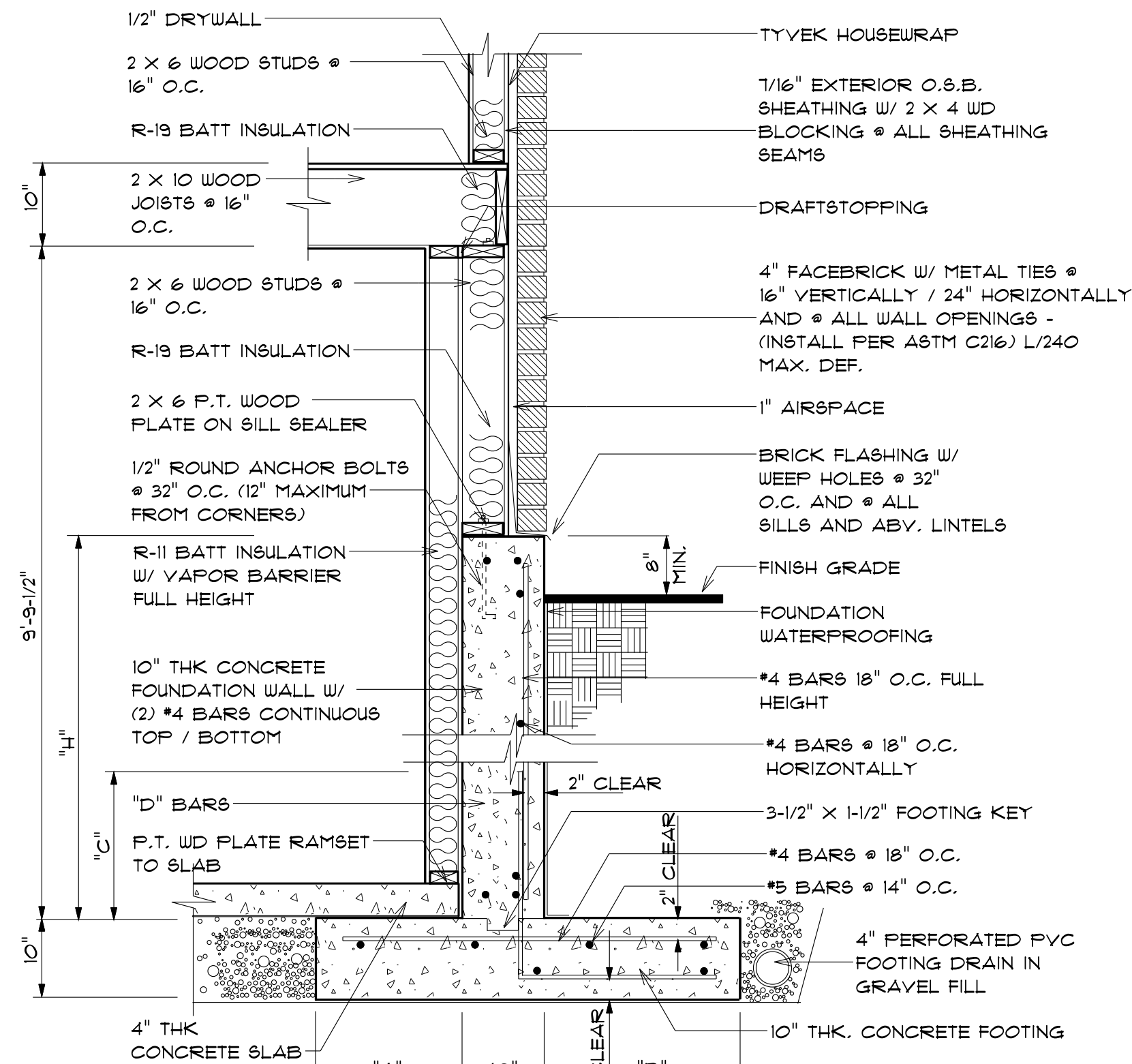
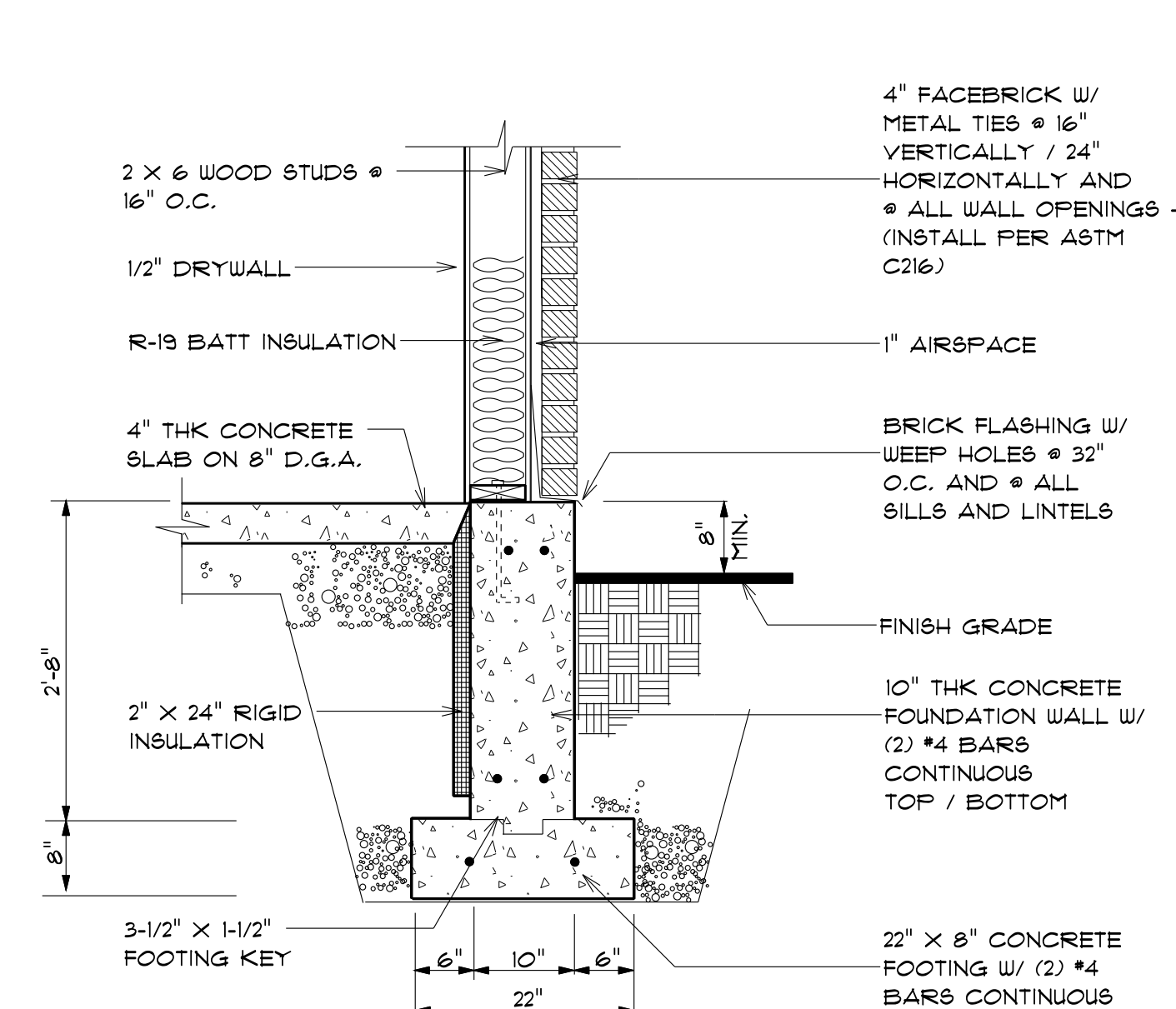


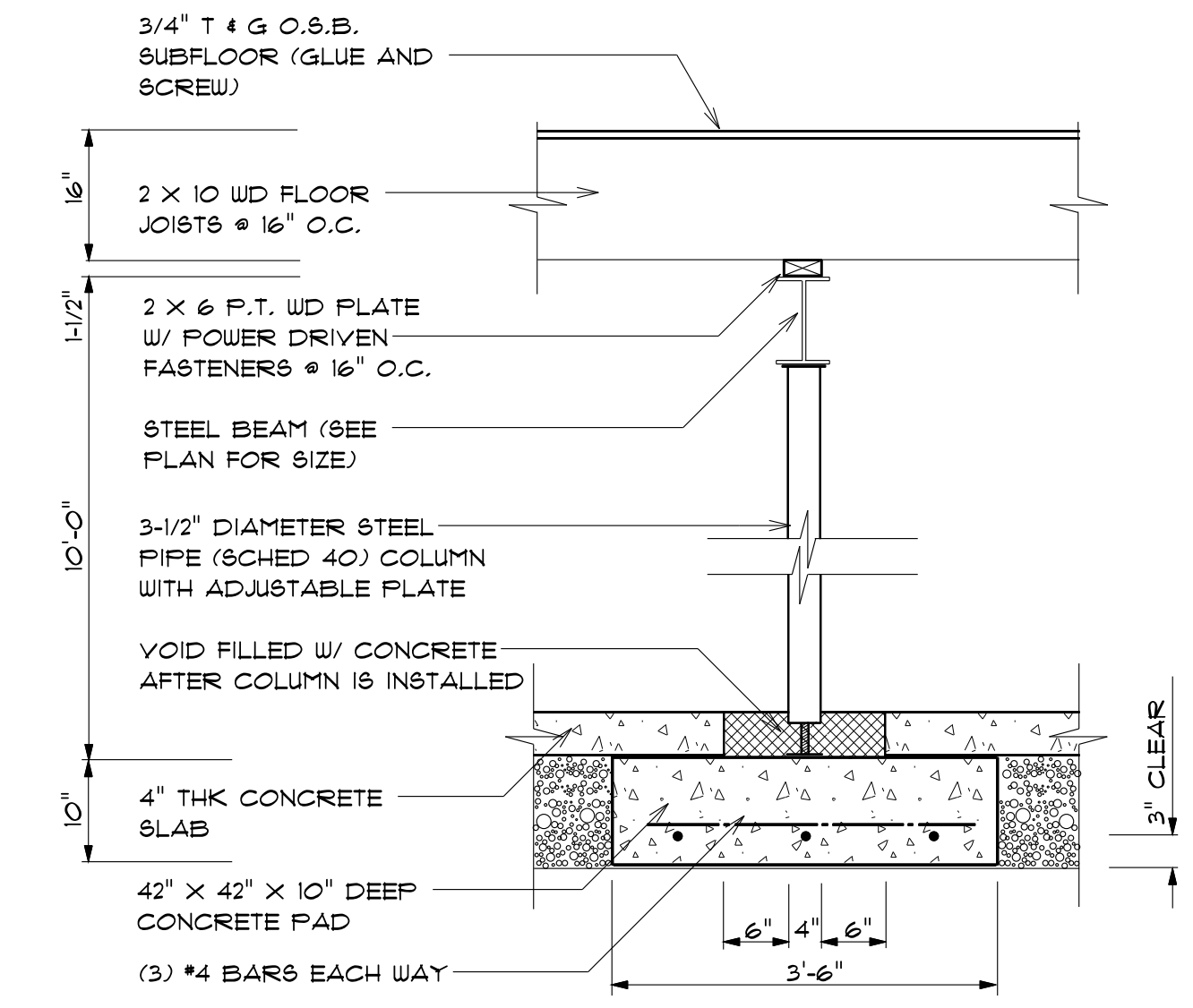
"4"	"A"	"B"	"C"	"D" BARS
2'-0"	1'-0"	1'-4"	2'-1"	#4 @ 18" O.C.
4'-0"	1'-0"	1'-4"	2'-1"	#4 @ 18" O.C.
6'-0"	1'-6"	2'-0"	2'-1"	#5 @ 18" O.C.



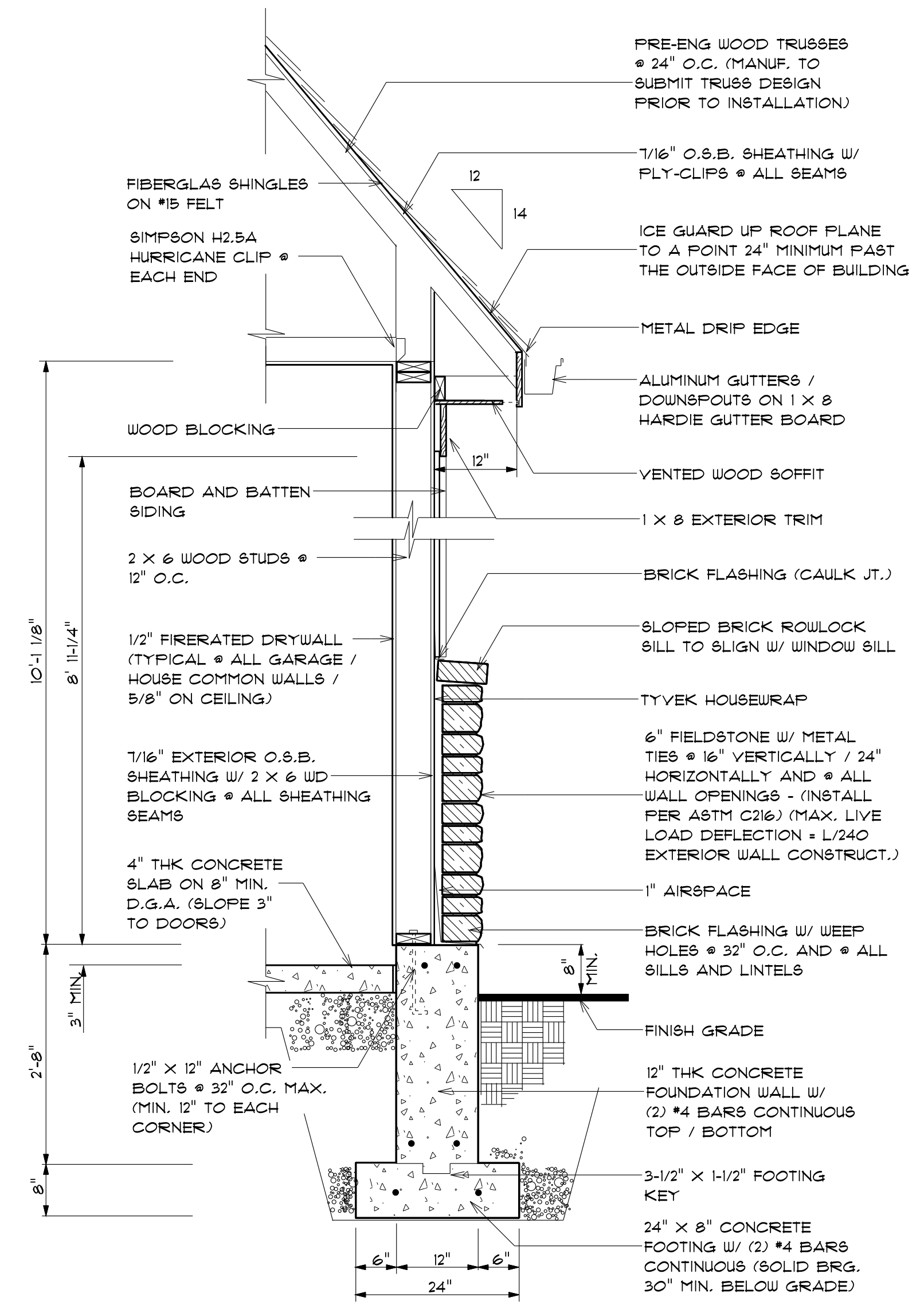
a stepdown section
NO SCALE



b walkout section
SCALE: 3/4" = 1'-0"



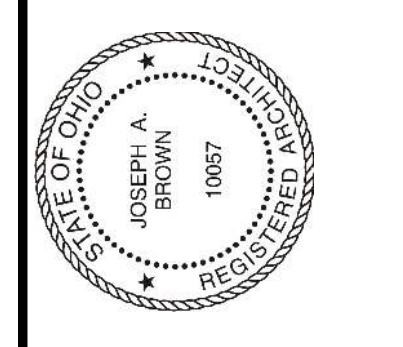
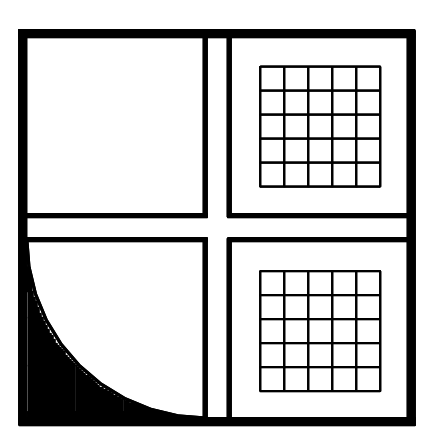
c steel column section
SCALE: 3/4" = 1'-0"



d garage section
scale: 3/4" = 1'-0"



rear elevation
scale: 1/4" = 1'-0"



JOSEPH A. BROWN
REGISTERED ARCHITECT, P.L.L.C.
P.O. BOX 1045
WARSAW, KENTUCKY 40385
PHONE: 859-651-6111

RESIDENCE FOR
BRAD AND MISTY MEYER
SITE #23 THE HIGHLANDS WARREN COUNTY, OHIO
HENSLEY HOMES

Date	Job
5/3/18	11011

A-2
Sheet 2 of 8